

MICRO SWITCHES



Internal snap-fit lever



External snap-fit lever

SM1-N & SM1-G SERIES

SPECIFICATIONS

Contact Resistance(initial)

Max. 300 mΩ
(Measured by ohm meter-open voltage<1VDC, driver current-100 mA)

Insulation Resistance (at 500VDC/minute)

Min. 100MΩ

Dielectric Strength

Min. 500VAC(50-60HZ)/minute between Live parts.
Min. 1500VAC(50-60HZ)/minute between Live parts and dead metal parts

Operating Temperature Range

-40°C to 125°C (with no icing)

Vibration

10~55Hz, displacement 0.75 mm (p-p)

Electrical Service Life

Min. 10,000 operations

Electrical Operating Frequency

10~30 operations per minute

Mechanical Service Life

All series for H force: No define the life cycles
Others: Min. 5,000,000 operations

Mechanical Operating Frequency

120 operations per minute

Operating application of the switch

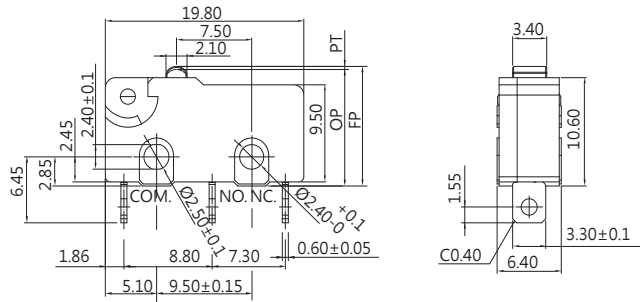
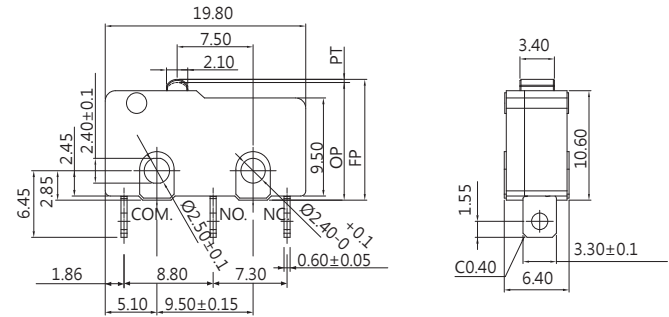
Set the switch pushing distance from 60% to 90% of the specified OT value

APPLICATIONS

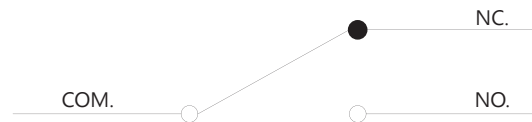
Telephone, Air conditioner, Computer, Humidifier, Alarm, Time recorder, Mixer & Chopper, Solder gun, Neon phone, Fax machine, Joystick, Water pump, Gas detector, Pencil sharpener, Money sorter, Food processor, Electric knife, Toy car, Juice maker, Electric steak pan.

DIMENSIONS

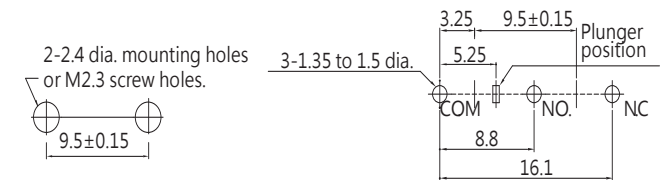
Unless otherwise specified, a tolerance of ±0.4mm applies to all dimensions.



CONTACT CONFIGURATION



MOUNTING HOLES



CERTIFICATE INFORMATION

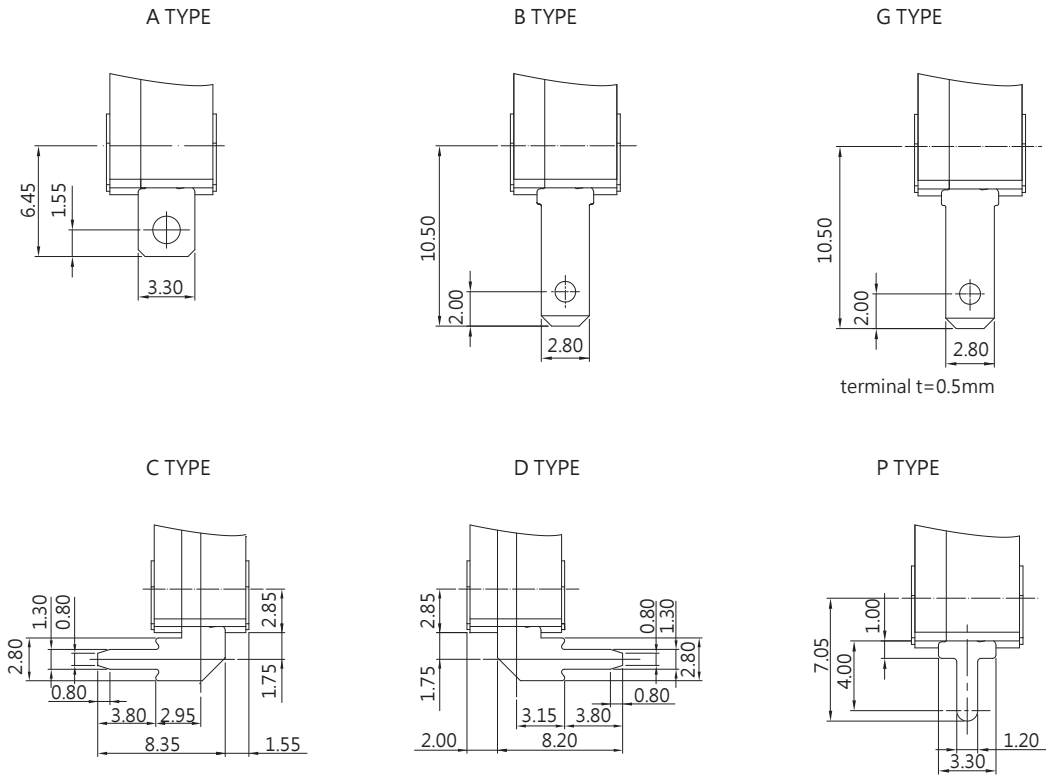
Model Name	UL, cUL	ENEC
SM1-N1		
SM1-G1	0.1RA 125/250VAC μ T125 1E4	0.1A 125/250VAC μ T125 1E4
SM1-NC1	0.1RA 30VDC μ T125 1E4	0.1A 30VDC μ T125 1E4
SM1-GC1		
SM1-N3		
SM1-G3	3RA 125/250VAC μ T125 1E4	3A 125/250VAC μ T125 1E4
SM1-NC3	3RA 30VDC μ T125 1E4	3A 30VDC μ T125 1E4
SM1-GC3		
SM1-N6	6RA 125/250VAC μ T125 1E4	6A 125/250VAC μ T125 1E4
SM1-G6	6GPA 125/250VAC μ T85 1E4	5A 30VDC μ T125 1E4
	5RA 30VDC μ T125 1E4	6(3)A 125/250VAC μ T85 1E4 (S, H force, only)

THE SELECTION OF RATING & FORCE

Model Name	Rating	D	L	S	H
SM1-N1 or SM1-G1	0.1A	*	*	*	*
SM1-NC1 or SM1-GC1					
SM1-N3 or SM1-G3	3A	*	*	*	*
SM1-NC3 or SM1-GC3	3A		*	*	*
SM1-N6 or SM1-G6	6A	*	*	*	*
SM1-N6S or N6H	6(3)A			*	*

NOTE : The Symbol " * " to represent the result is accepted for AC

TERMINAL TYPES (The thickness of terminal is 0.6 mm, beside G type terminal)



ORDERING INFORMATION

S M 1	N 6	S	0 0	OR	5 0 0	A	0	Z																																																																																						
SERIES PREFIX	C O D E RATING CURRENT	C O D E OPERATING FORCE	C O D E ACTUATOR TYPE	INTERNAL SNAP-FIT LEVER	EXTERNAL SNAP-FIT LEVER	C O D E TERMINAL TYPE	C O D E CONTACT ARRANGEMENT	R O H S C O D E																																																																																						
	<table border="1" style="width: 100%; border-collapse: collapse;"> <tr><td>N1</td><td>0.1A 125/250VAC</td></tr> <tr><td>G1</td><td></td></tr> <tr><td>NC1</td><td>0.1A 30VDC</td></tr> <tr><td>GC1</td><td></td></tr> <tr><td>N3</td><td>3A 125/250VAC</td></tr> <tr><td>G3</td><td></td></tr> <tr><td>NC3</td><td>3A 30VDC</td></tr> <tr><td>GC3</td><td></td></tr> <tr><td>N6</td><td>6A 125/250VAC</td></tr> <tr><td>G6</td><td>5A 30VDC</td></tr> </table>	N1	0.1A 125/250VAC	G1		NC1	0.1A 30VDC	GC1		N3	3A 125/250VAC	G3		NC3	3A 30VDC	GC3		N6	6A 125/250VAC	G6	5A 30VDC	<table border="1" style="width: 100%; border-collapse: collapse;"> <tr><td>S</td><td>STANDARD</td></tr> <tr><td>L</td><td>LIGHT</td></tr> <tr><td>D</td><td>SLIGHT</td></tr> <tr><td>H</td><td>HEAVIER</td></tr> </table>	S	STANDARD	L	LIGHT	D	SLIGHT	H	HEAVIER	<table border="1" style="width: 100%; border-collapse: collapse;"> <tr><td>00</td><td></td></tr> <tr><td>01</td><td></td></tr> <tr><td>02</td><td></td></tr> <tr><td>03</td><td></td></tr> <tr><td>04</td><td></td></tr> <tr><td>05</td><td></td></tr> <tr><td>06</td><td></td></tr> <tr><td>07</td><td></td></tr> <tr><td>08</td><td></td></tr> <tr><td>09</td><td></td></tr> </table>	00		01		02		03		04		05		06		07		08		09			<table border="1" style="width: 100%; border-collapse: collapse;"> <tr><td>00</td><td></td></tr> <tr><td>01</td><td></td></tr> <tr><td>02</td><td></td></tr> <tr><td>03</td><td></td></tr> <tr><td>04</td><td></td></tr> <tr><td>05</td><td></td></tr> <tr><td>06</td><td></td></tr> <tr><td>07</td><td></td></tr> <tr><td>08</td><td></td></tr> <tr><td>09</td><td></td></tr> </table>	00		01		02		03		04		05		06		07		08		09		<table border="1" style="width: 100%; border-collapse: collapse;"> <tr><td>A</td><td></td></tr> <tr><td>B</td><td></td></tr> <tr><td>C</td><td></td></tr> <tr><td>D</td><td></td></tr> <tr><td>P</td><td></td></tr> <tr><td>G</td><td></td></tr> </table>	A		B		C		D		P		G		<table border="1" style="width: 100%; border-collapse: collapse;"> <tr><td>0</td><td>S.P.D.T</td></tr> <tr><td>1</td><td>S.P.S.T NO</td></tr> <tr><td>2</td><td>S.P.S.T NC</td></tr> </table>	0	S.P.D.T	1	S.P.S.T NO	2	S.P.S.T NC	
N1	0.1A 125/250VAC																																																																																													
G1																																																																																														
NC1	0.1A 30VDC																																																																																													
GC1																																																																																														
N3	3A 125/250VAC																																																																																													
G3																																																																																														
NC3	3A 30VDC																																																																																													
GC3																																																																																														
N6	6A 125/250VAC																																																																																													
G6	5A 30VDC																																																																																													
S	STANDARD																																																																																													
L	LIGHT																																																																																													
D	SLIGHT																																																																																													
H	HEAVIER																																																																																													
00																																																																																														
01																																																																																														
02																																																																																														
03																																																																																														
04																																																																																														
05																																																																																														
06																																																																																														
07																																																																																														
08																																																																																														
09																																																																																														
00																																																																																														
01																																																																																														
02																																																																																														
03																																																																																														
04																																																																																														
05																																																																																														
06																																																																																														
07																																																																																														
08																																																																																														
09																																																																																														
A																																																																																														
B																																																																																														
C																																																																																														
D																																																																																														
P																																																																																														
G																																																																																														
0	S.P.D.T																																																																																													
1	S.P.S.T NO																																																																																													
2	S.P.S.T NC																																																																																													
<table border="1" style="width: 100%; border-collapse: collapse;"> <thead> <tr><th colspan="3">NOTE</th></tr> <tr><th>ITEM</th><th>RATING CURRENT</th><th>OPERATING FORCE</th></tr> </thead> <tbody> <tr><td>1</td><td>CODE:N1/G1</td><td>ALL</td></tr> <tr><td>2</td><td>CODE:N3/G3</td><td>ALL</td></tr> <tr><td>3</td><td>CODE:N6/G6</td><td>ALL</td></tr> <tr><td>4</td><td>CODE:NC1/GC1</td><td>ALL</td></tr> <tr><td>5</td><td>CODE:NC3/GC3</td><td>L,S,H</td></tr> </tbody> </table>									NOTE			ITEM	RATING CURRENT	OPERATING FORCE	1	CODE:N1/G1	ALL	2	CODE:N3/G3	ALL	3	CODE:N6/G6	ALL	4	CODE:NC1/GC1	ALL	5	CODE:NC3/GC3	L,S,H																																																																	
NOTE																																																																																														
ITEM	RATING CURRENT	OPERATING FORCE																																																																																												
1	CODE:N1/G1	ALL																																																																																												
2	CODE:N3/G3	ALL																																																																																												
3	CODE:N6/G6	ALL																																																																																												
4	CODE:NC1/GC1	ALL																																																																																												
5	CODE:NC3/GC3	L,S,H																																																																																												

OPERATING CHARACTERISTICS (SM1 series - internal snap-fit lever)

SWITCH TYPE	PART SUFFIX	OF Max. (gf)		OP (mm)	PT Max. (mm)	OT Min. (mm)	MD Max. (mm)	FP Max. (mm)	RF Min. (gf)
		H	S						
SM1-□□□-00□□-Z		H	355	11.4±0.3	1.1	0.4	0.2	12.2	100
		S	150						25
		L	95						10
SM1-□□□-01□□-Z		H	118	11.4±1.1	4.63	0.53	1.45	14.6	20
		S	50	11.8±0.8	3.6	0.6	0.8		6
		L	28						1
SM1-□□□-02□□-Z		H	107	11.4±1.3	5.29	0.48	1.67	14.94	17
		S	45	11.8±0.9	4.03	0.67	0.9		5
		L	25						1
SM1-□□□-03□□-Z		H	87	11.0±1.8	7.47	0.18	2.40	15.96	11
		S	34	11.8±1.5	5.35	0.89	1.19		2
		L	20						1
SM1-□□□-04□□-Z		H	111	13.3±1.2	5.02	0.51	1.58	16.66	19
		S	47	13.7±0.9	3.86	0.64	0.86		5
		L	26						1
SM1-□□□-05□□-Z		H	117	17.1±1.1	4.60	0.55	1.44	20.5	21
		S	50	17.5±0.8	3.8	0.6	0.8		6
		L	28						1
SM1-□□□-06□□-Z		H	97	18.0±1.5	6.12	0.4	1.95	23.2	15
		S	42	19.0±1.5	5.7	1.0	1.0		2
		L	23						1
SM1-□□□-07□□-Z		H	55	9.9±2.7	11.20	0.5	4.1	18.4	8
		S	25	11.8±2.0	8.6	1.5	1.8		1
		L	16						1
SM1-□□□-08□□-Z		S	25	-2.3±3.0	6.0	X	1.9	5.4	1
		L	17						1
SM1-□□□-09□□-ZZ		S	15	11.8±3.0	13.3	1.0	2.9	22.1	2
		L	12						1

OPERATING CHARACTERISTICS (SM1 series - external snap-fit lever)

SWITCH TYPE	PART SUFFIX	OF Max. (gf)		OP (mm)	PT Max. (mm)	OT Min. (mm)	MD Max. (mm)	FP Max. (mm)	RF Min. (gf)
		H	S						
SM1- □□□ -500 □□ -Z		H	355	11.4±0.3	1.1	0.4	0.2	12.2	100
		S	150						25
		L	95						10
SM1- □□□ -501 □□ -Z		H	145	11.8±1.10	4.6	0.9	0.8	15.3	15
		S	50						6
		L	40						1
SM1- □□□ -502 □□ -Z		H	135	11.8±1.20	5.1	0.7	0.8	15.70	10
		S	50						5
		L	40						--
SM1- □□□ -503 □□ -Z		H	110	11.8±1.60	6.90	0.9	1.10	17.10	10
		S	45						4
		L	35						--
SM1- □□□ -504 □□ -Z		H	140	13.7±1.1	4.80	1.50	0.8	17.40	15
		S	50						6
		L	40						1
SM1- □□□ -505 □□ -Z		H	145	17.9±1.0	4.05	0.55	0.9	21.00	15
		S	55						6
		L	40						1
SM1- □□□ -506 □□ -Z		H	195	11.8±0.8	3.2	0.6	0.6	14.2	25
		S	70						10
		L	50						2
SM1- □□□ -507 □□ -Z		H	85	11.8±2.6	10.8	1.2	1.9	20.0	5
		S	35						1
		L	30						---
SM1- □□□ -508 □□ -Z		H	140	14.9±1.1	4.10	1.0	0.8	17.95	40
		S	50						3
		L	40						1
SM1- □□□ -509 □□ -Z		H	65	11.8±3.5	14.8	2.8	2.6	23.1	1
		S	30						1
		L	25						---