

# ROTARY SWITCHES



## AN SERIES

### SPECIFICATIONS

#### Operating Force

Rotation - Max.50 gf-cm

Push - 220 ± 40 gf

#### Contact Resistance (initial)

Max. 300 mΩ

Measured by ohm meter - open voltage < 1VDC, driver current -100 mA

#### Insulation Resistance (at 100 VDC/min.)

Min. 100 MΩ

#### Operating Temperature Range

0°C to 40°C ( with no icing )

#### Vibration

10~55 Hz, displacement 0.75 mm (p-p)

#### Electrical Service Life

Rotation - Min. 200,000 operations

C.W. 100,000 & C.C.W 100,000 operations

Push - Min. 1,000,000 operations

#### Electrical Operating Frequency

Rotation - 30 operations per minute

Push - 120 operations per minute

### RATING

1mA 10VDC

### APPLICATIONS

Remote control, Tablet, Keyboard, Audio, Mp3 player, Notebook,

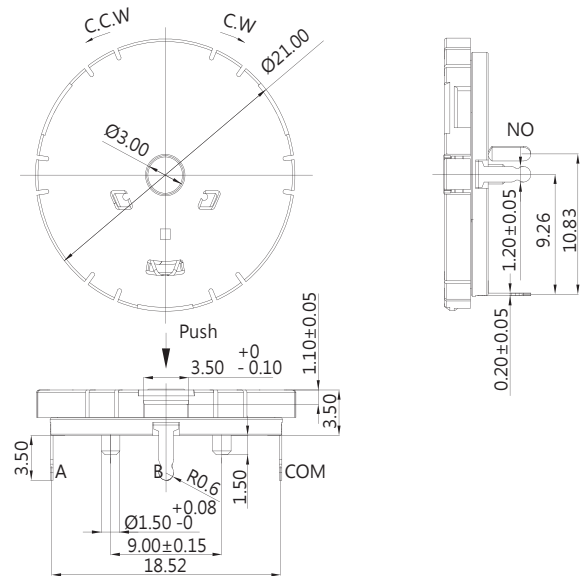
Mobile phone, Mobility TV, Home appliances

### ORDERING INFORMATION

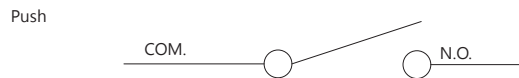
<b>A</b>	<b>N</b>	<b>P</b>	<b>1</b>	<b>S</b>	<b>2</b>	<b>S</b>	<b>P</b>	<b>Z</b>			
SERIES PREFIX	C O D E	RATING CURRENT	C O D E	OPERATING FORCE	C O D E	TYPE	C O D E	OPERATING TORQUE	C O D E	TERMINAL TYPE	ROHS CODE
	P1	1mA 10VDC	S	Rotation Max.50gf-cm	2	COVER IS NOT THROUGH Rotation Life :200,000 operations (C.W. 100,000 & C.C.W 100,000operations)	S	Push 220±40gf	P	PCB TERMINAL	
			H	Rotation Max.60gf-cm	3	COVER IS NOT THROUGH Rotation Life :2,000,000 operations (C.W. 1,000,000 & C.C.W 1,000,000operations)					

### DIMENSIONS

Unless otherwise specified, a tolerance of ±0.4mm applies to all dimensions.



### CONTACT CONFIGURATION



#### Rotation

ANGLE	-90°	-60°	-30°	0°	30°	60°	90°
NO.							
(A) A-C	ON	OFF	ON	OFF	ON	OFF	ON
(B) B-C	ON	OFF	ON	OFF	ON	OFF	ON

CW ← → CCW

Numbers of detent : 24

Pulse/Rotation : 12 pulse/360°

### MOUNTING HOLES

