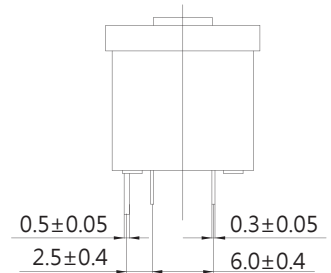
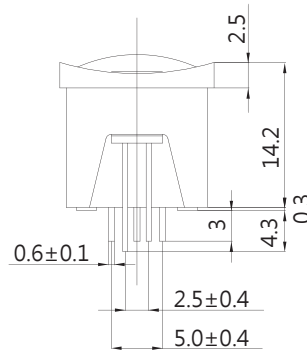
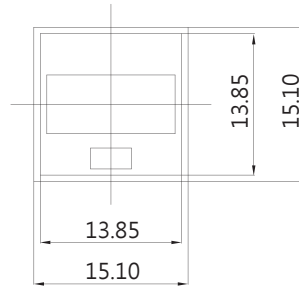


PUSH SWITCHES



DIMENSIONS

Unless otherwise specified, a tolerance of $\pm 0.4\text{mm}$ applies to all dimensions.



P2 SERIES

SPECIFICATIONS

Insulation Resistance (at 500VDC/minute)

Min. 100M Ω

Operating Temperature Range

0°C to 55°C

Vibration

10 ~ 55 Hz, displacement 0.75 mm (p-p)

Electrical Service Life

Min. 10,000 operations.

Electrical Operating Frequency

10 operations per minute

LED Rating

Max. 20mA

Mechanical Service Life

Min. 100,000 operations.

Mechanical Operating Frequency

30 operations per minute

Travel

Pre travel Max. 1.5mm

Total travel $2.5 \pm 0.5\text{mm}$

RATING

0.1A 30VDC

APPLICATIONS

Computer, Alarm, Coin-op phone, Auto garage door

ORDERING INFORMATION

| | | | | | | | |
|---------------|------------------|------------------------|------------------|------------|-----------|-------------|---|
| P | 2 | 0 | S | L | G | R | Z |
| SERIES PREFIX | TYPE | OPERATING FORCE | TOP BUTTON COLOR | CASE COLOR | LED COLOR | ROHS CODE | |
| | 0 NON LOCK | NON LOCK 150 \pm 50g | R RED | G GRAY | R RED | | |
| | 1 LOCK | LOCK 180 \pm 50g | L BLUE | B BLACK | E GREEN | | |
| | 2 NON LOCK CLICK | | E GREEN | | Y YELLOW | | |
| | | | Y YELLOW | | | WITHOUT LED | |
| | | | N BROWN | | | | |
| | | | O ORANGE | | | | |
| | | | B BLACK | | | | |
| | | | G GRAY | | | | |

CONTACT CONFIGURATION

