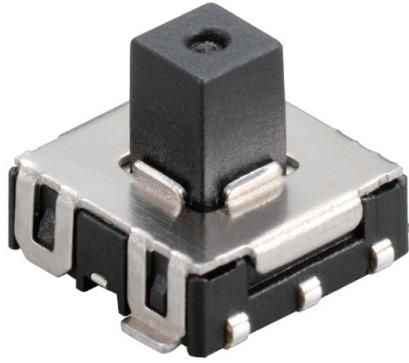


# DETECT SWITCHES



## B8 SERIES

### SPECIFICATIONS

#### Contact Resistance (initial)

Max. 200 mΩ

Measured by ohm meter –open voltage < 1 VDC, driver current -100 mA

#### Insulation Resistance ( at 250VDC/minute )

Min. 100MΩ

#### Operating Temperature range

-10°C to 60°C (with no icing )

#### Vibration

10~55Hz, displacement 0.75mm(p-p)

#### Electrical Service Life

Min. 200,000 operations.

#### Electrical Operating Frequency

120 operations per minute

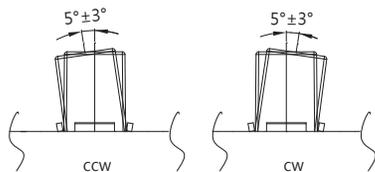
### RATING

50mA 24VDC

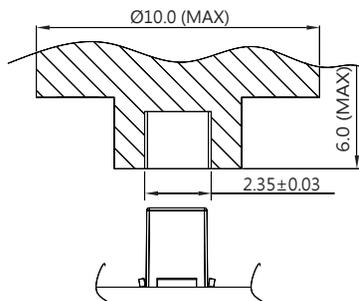
### APPLICATIONS

Digital Cameras · Mobile Phones

### DIMENSION OF BUTTON MOVING ANGLE

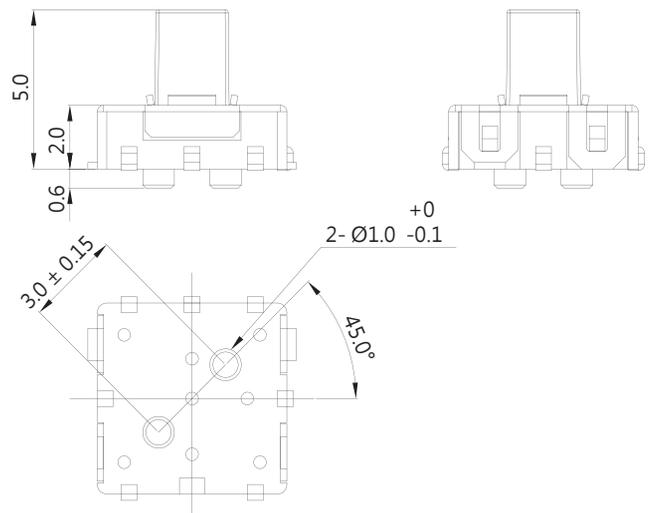
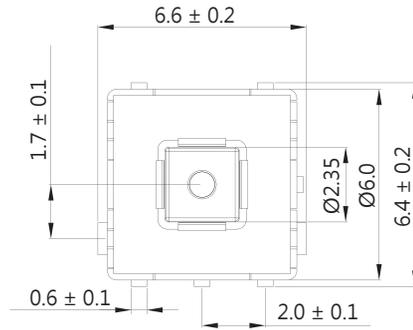


### DIMENSION OF ASSEMBLY PART



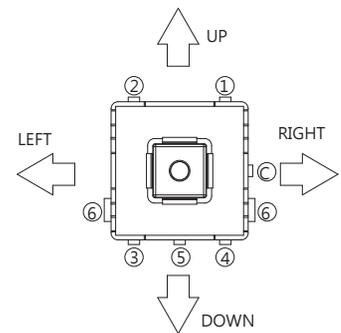
### DIMENSIONS

Unless otherwise specified, a tolerance of ±0.4mm applies to all dimensions.

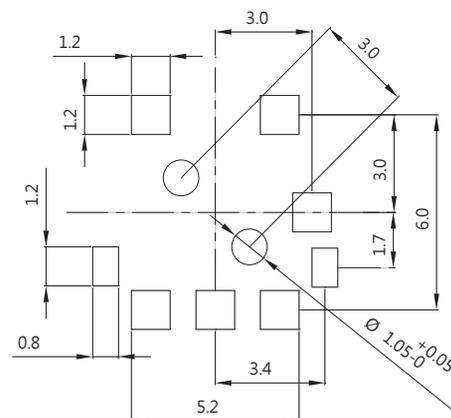


### CONTACT CONFIGURATION

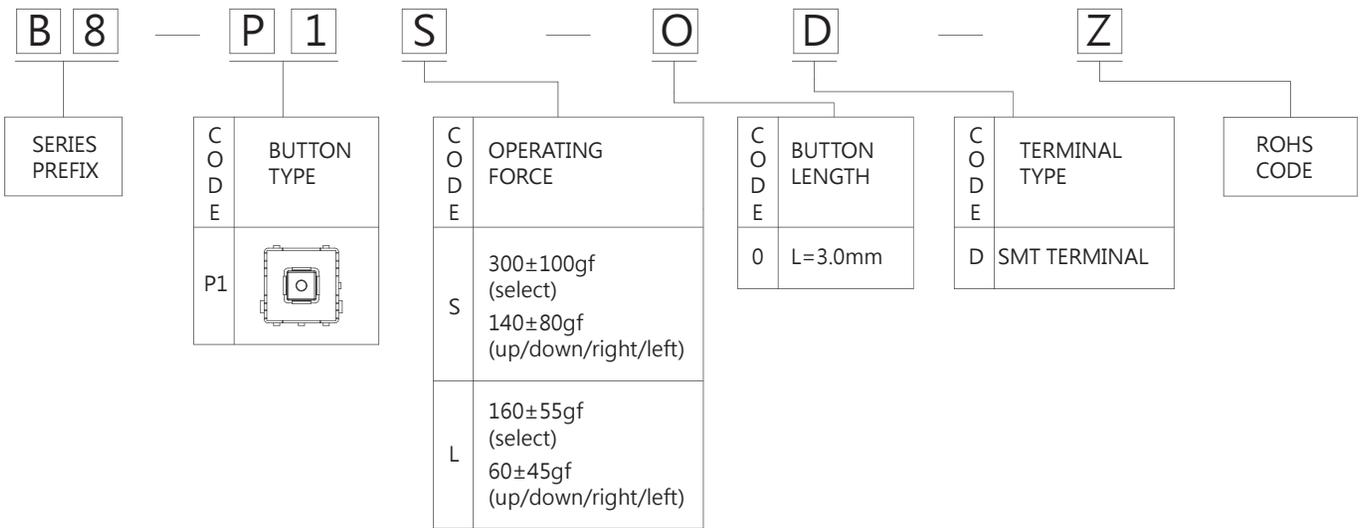
DIRECTION	①	②	③	④	⑤	⑥	C
UP	○	○	○	○	○	○	○
DOWN	○	○	○	○	○	○	○
LEFT	○	○	○	○	○	○	○
RIGHT	○	○	○	○	○	○	○
SELECT							



### MOUNTING HOLES



## ORDERING INFORMATION



## OPERATING CHARACTERISTICS

SWITCH TYPE	PART SUFFIX	OF(gf)		RF Min. (gf)	OF(UP/DOWN/R/L) (gf)	RF(UP/DOWN/R/L) Min.(gf)
B8-P1 □ -0D-Z		L	160±55gf	25gf	60±45gf	5gf
		S	300±100gf	55gf	140±80gf	10gf