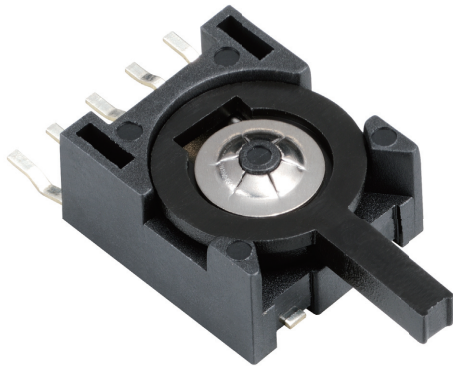


DETECT SWITCHES



D1 SERIES

SPECIFICATIONS

Contact Resistance (initial)

Max. 100mΩ (Measured by ohm meter –Open Voltage<1VDC,
Driver current -100mA)

Insulation Resistance (at 100VDC/minute)

Min. 100MΩ

Operating Temperature Range

0°C to 55°C

Vibration

10~55Hz, displacement 0.75 mm (p-p)

Electrical Service Life

Min. 50,000 operations.

Electrical Operating Frequency

Max. 60 operations per minute

Operation Position

18° ± 5°

RATING

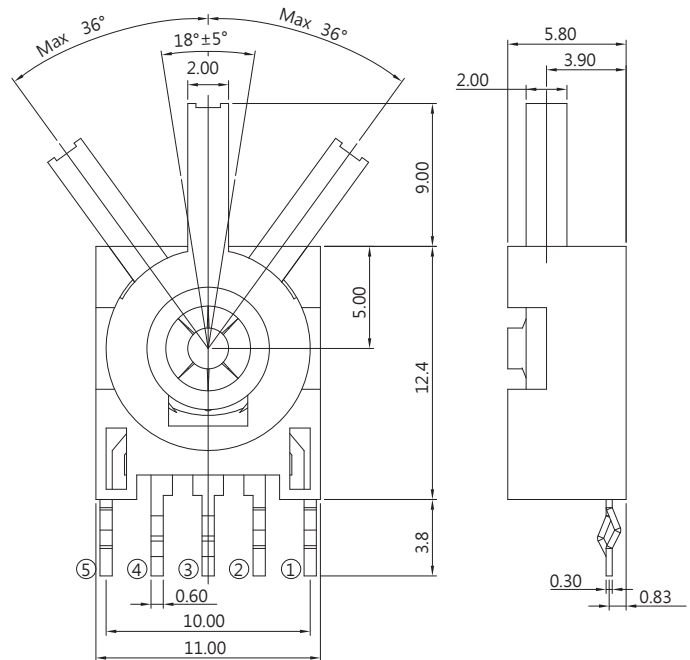
0.1A 12VDC

APPLICATIONS

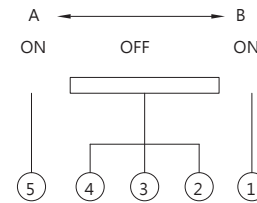
CD ROM,DVD ROM,COMBO,CD RW

DIMENSIONS

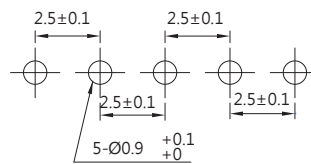
Unless otherwise specified, a tolerance of ±0.4mm applies to all dimensions.



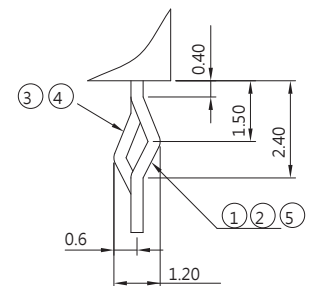
CONTACT CONFIGURATION



MOUNTING HOLES



TERMINAL TYPES



ORDERING INFORMATION

D1	-	P1		S	-	1		F	-	Z
SERIES PREFIX		RATING CURRENT		OPERATING FORCE		LEVER LENGTH		TERMINAL TYPE		ROHS CODE
		P1	0.1A 12VDC	S	Max. 70gf	1	7mm	F	PCB TERMINAL	
						2	9mm			
						3	11mm			