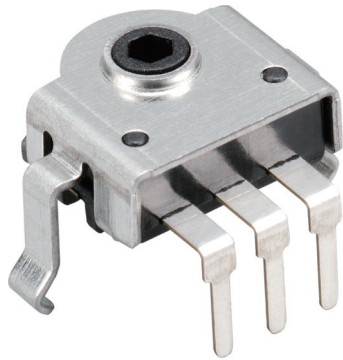


# ENCODER SWITCHES



## RT SERIES

### SPECIFICATIONS

#### Contact Resistance (initial)

Max. 10Ω

Measured by ohm meter –open voltage<1VDC, Driver current -100mA

#### Insulation Resistance ( at 500VDC/minute )

Min. 5MΩ

#### Operating Temperature range

-10°C to 60°C ( with no icing )

#### Vibration

10~55Hz, displacement 0.75mm(p-p)

#### Electrical Service Life

Min. 200,000 operations

C.W. 100,000 & C.C.W 100,000 operations

#### Electrical Operating Frequency

Max.30 operations per minute

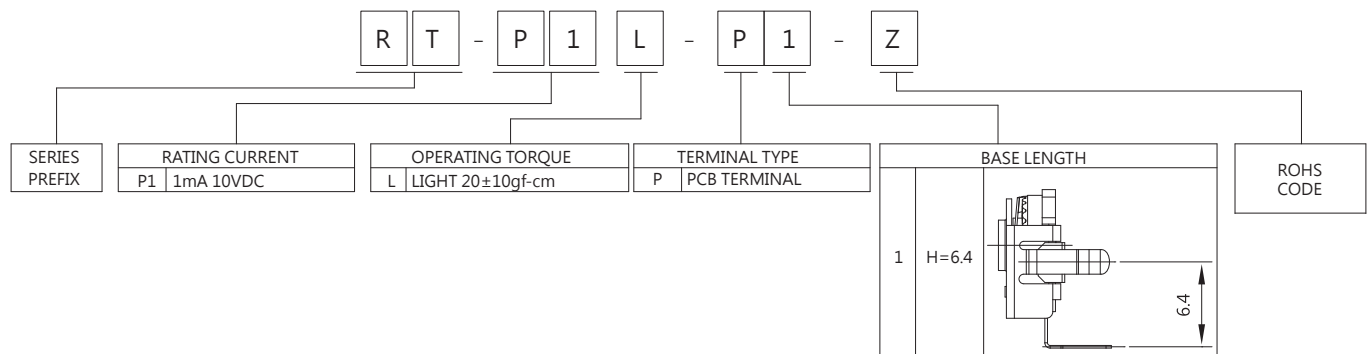
### RATING

1mA 10VDC

### APPLICATIONS

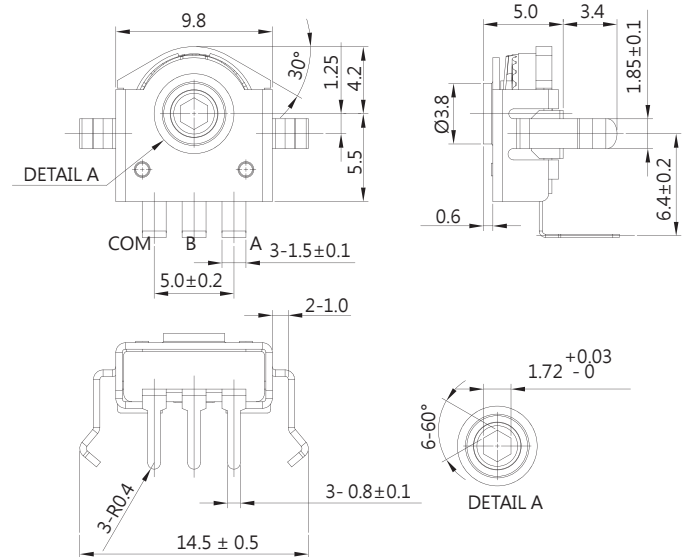
Mouse, Keyboard, Fax machine, Remote control

### ORDERING INFORMATION



### DIMENSIONS

Unless otherwise specified, a tolerance of ±0.4mm applies to all dimensions.



### CONTACT CONFIGURATION

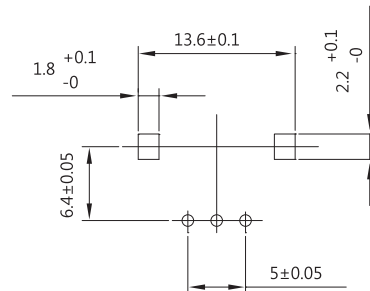
NO.	ANGLE	ANGLE						
		-90°	-60°	-30°	0°	30°	60°	90°
A-A-C	ON	[Waveform]						
	OFF	[Waveform]						
B-B-C	ON	[Waveform]						
	OFF	[Waveform]						

CCW ← → CW

Numbers of detent : 24

Pulse/Rotation : 12 pulse/360°

### MOUNTING HOLES



### HEXAGONAL HOLE

